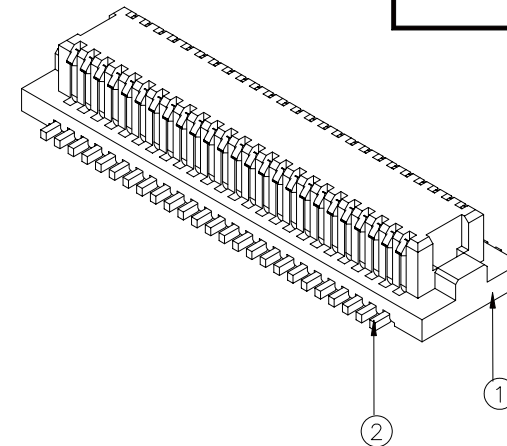
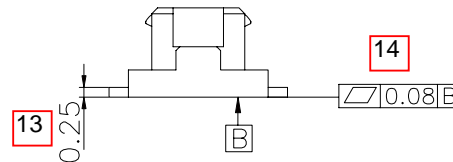
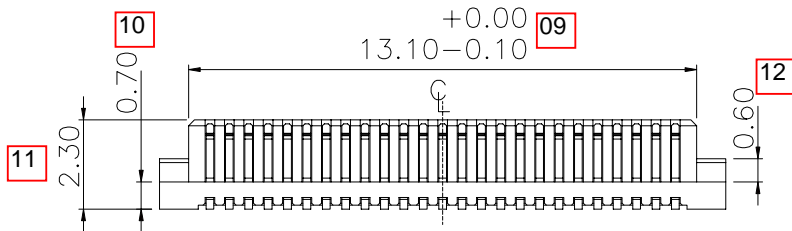
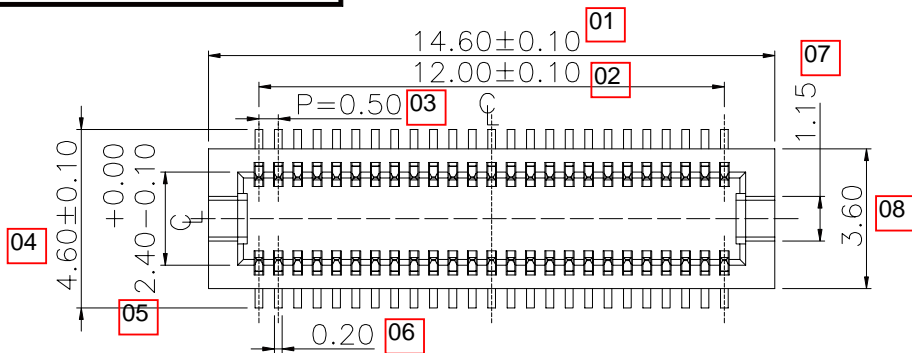




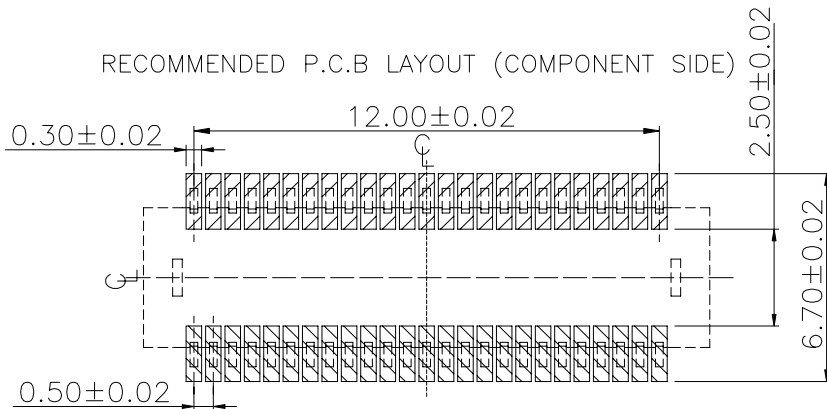
RoHS Compliant
2002/95/EC
HSF

Level-1 Controlled Substances are banned

AICBU



RECOMMENDED P.C.B LAYOUT (COMPONENT SIDE)



NOTE:

085009MA050G□00PL

1. SELETIVE PLATING
- G1-05u" GOLD OVER NICKEL
- G2-GOLD FLASH OVER NICKEL
- G3-10u" GOLD OVER NICKEL
- G4-15u" GOLD OVER NICKEL
- G5-30u" GOLD OVER NICKEL

3				
2	TERMINAL	COPPER ALLOY		GOLD PLATED
1	PLASTIC	HIGH TEMP	WARM GRAY	UL94V-0
NO.	DESCRIPTION	MATERIAL	COLOR	REMARK

SUYIN
CONNECTOR

CUSTOMER COPY TITLE:0.50mm PITCH BTOB CONN

PART NO. 085009MA050GX00PL

PRODUCT SPEC. 085009MA SERIES

FILE NAME. C 085009MA050GX00PL-C

SCALE 5:1 UNIT:mm A4 SHEET: 1 of 2

					Angle	±2°				
					30 ~	±0.50	DRAW	方盛才	08'/01/10	
					10 ~ 30	±0.30	DESIGN	方盛才	08'/01/10	
					~ 10	±0.15	CHECK	代華銀	08'/01/10	
ECN(DCN) NO.	REV	DATE	DESCRIPTION	CHANGE	APPRO.	GENERAL TOLERANCE UNLESS OTHERWISE NOTED	APPRO.	楊宗憲	08'/01/10	

Original:Draw: 方盛才 Design: 方盛才 Check: 代華銀 Appro: 楊宗憲 發行日期: 08'/01/10

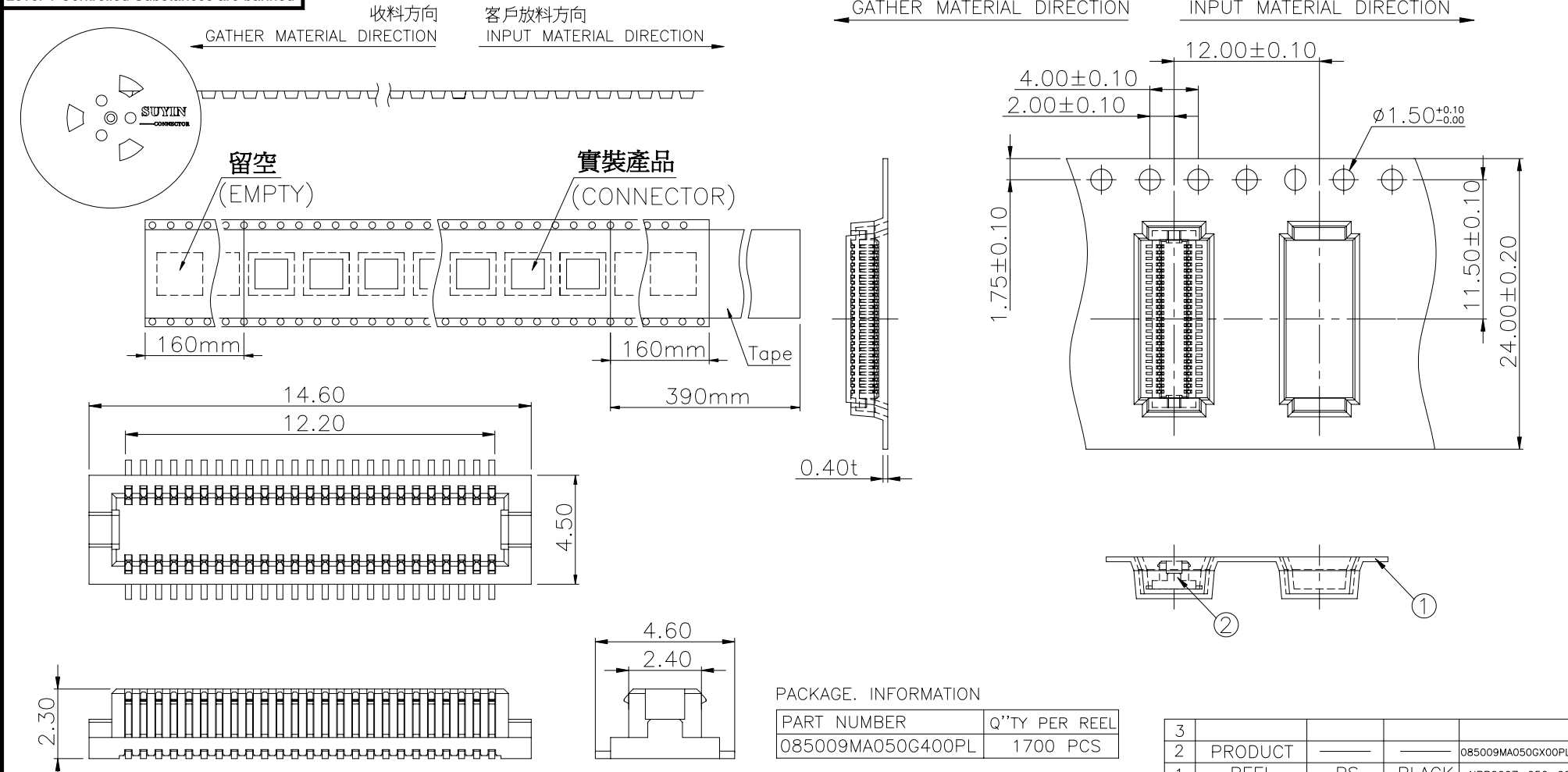
080110-B0050



RoHS Compliant
2002/95/EC
HSF

AICBU

Level-1 Controlled Substances are banned



PACKAGE INFORMATION

PART NUMBER	Q'TY PER REEL
085009MA050G400PL	1700 PCS

NOTE: ALL DIMENSIONS TOLRANCE ARE:
 1. ±0.25mm UNLESS OTHERWISE NOTED.
 2. COMPONENT LOAD BY 13" REEL.
 3. 包裝所用外箱為:OC0137;一外箱裝13盤.

SCALE 5:1

3				
2	PRODUCT			085009MA050GX00PL
1	REEL	PS	BLACK	AIPR0007-050-00
	NO. DESCRIPTION	MATERIAL	COLOR	REMARK

SUYIN
CONNECTOR

CUSTOMER COPY	TITLE:0.50mm PITCH BTOB CONN			
PART NO.	085009MA050GX00PL			
PRODUCT SPEC.	085009MA SERIES			
FILE NAME.	C	085009MA050GX00PL-C		
SCALE	2:1	UNIT:mm	A4	SHEET: 2 of 2

					Angle	±2°	DRAW	方盛才	08'/01/10
					30 ~	±0.50	DESIGN	方盛才	08'/01/10
					10 ~ 30	±0.30	CHECK	代華銀	08'/01/10
					~ 10	±0.15	APPRO.	楊宗憲	08'/01/10
ECN(DCN) NO.	REV	DATE	DESCRIPTION	CHANGE	APPRO.	GENERAL TOLERANCE UNLESS OTHERWISE NOTED	APPRO.	楊宗憲	08'/01/10