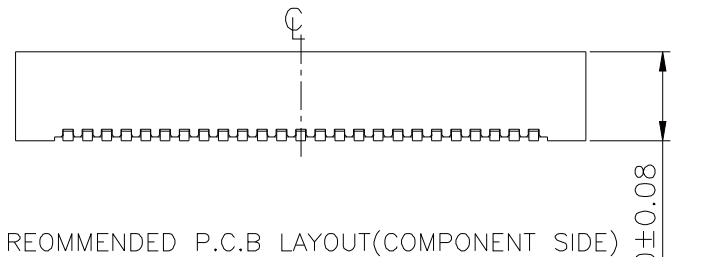
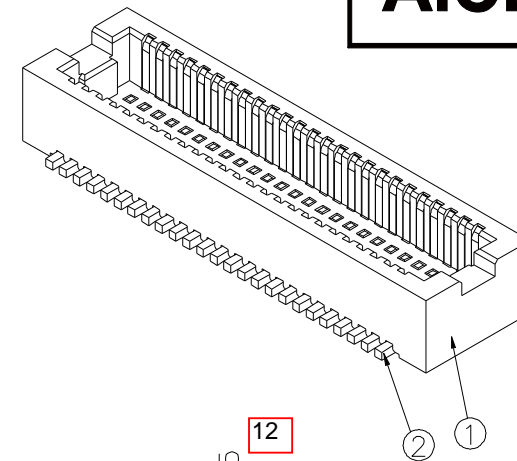
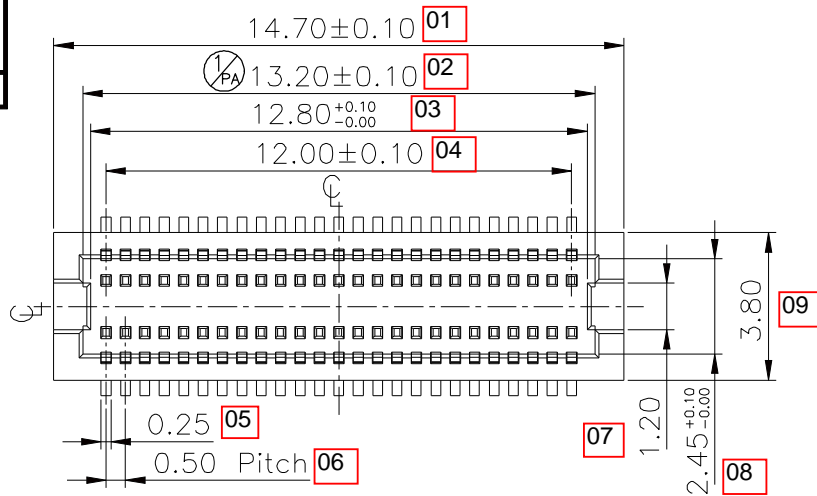




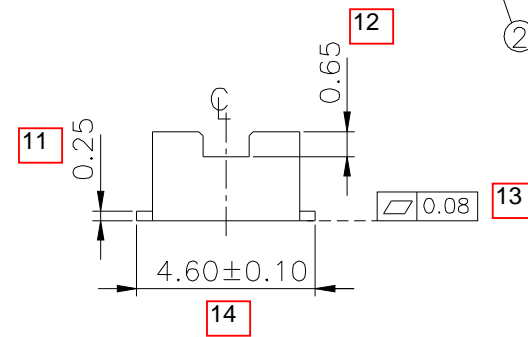
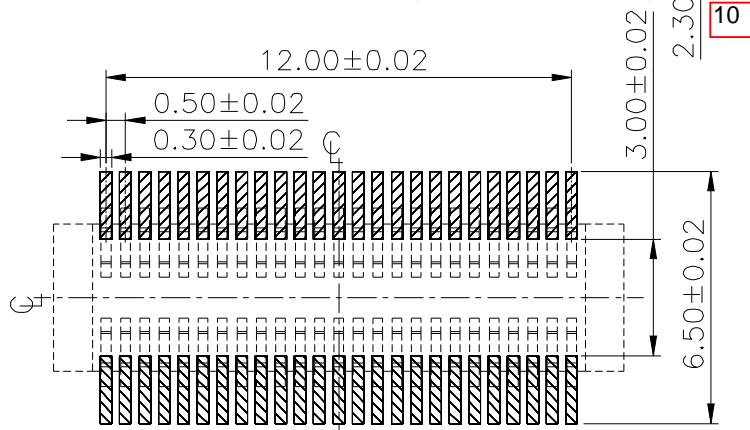
RoHS Compliant
2002/95/EC **HSF**

Level-1 Controlled Substances are banned

AICBU



RECOMMENDED P.C.B LAYOUT (COMPONENT SIDE)



3		COPPER ALLOY		
2	TERMINAL	COPPER ALLOY		GOLD PLATED OVER Ni
1	HOUSING	High Temp. Plastic	White	UL-94V
NO.	DESCRIPTION	MATERIAL	COLOR	REMARK

SUYIN
CONNECTOR

CUSTOMER COPY	TITLE: 0.50mm Pitch BTOB CONN.			
PART NO.	085010FA050G400PL			
PRODUCT SPEC.	085010FA SERIES			
FILE NAME.	C	085010FA050G400PL-C		
SCALE	5:1	UNIT:mm	A4	SHEET: 1 of 2

Angle	$\pm 2^\circ$	DRAW	李偉健	08'/04/15
30 ~	± 0.50	DESIGN	李偉健	08'/04/15
10 ~ 30	± 0.30	CHECK	代華銀	08'/04/15
~ 10	± 0.15	APPRO.	楊宗憲	08'/04/15
GENERAL TOLERANCE UNLESS OTHERWISE NOTED				