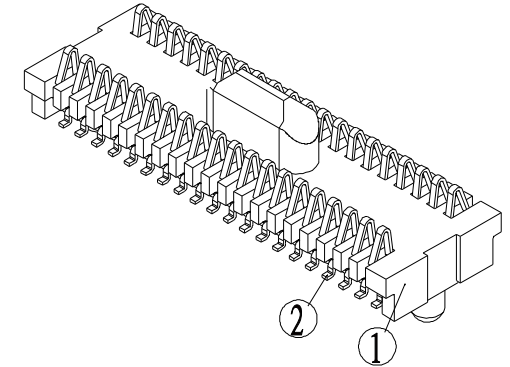
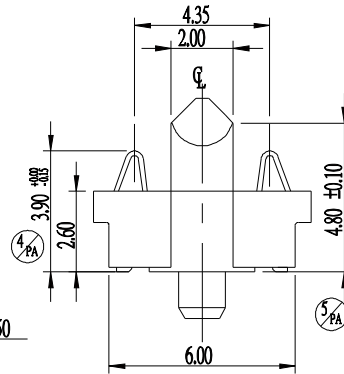
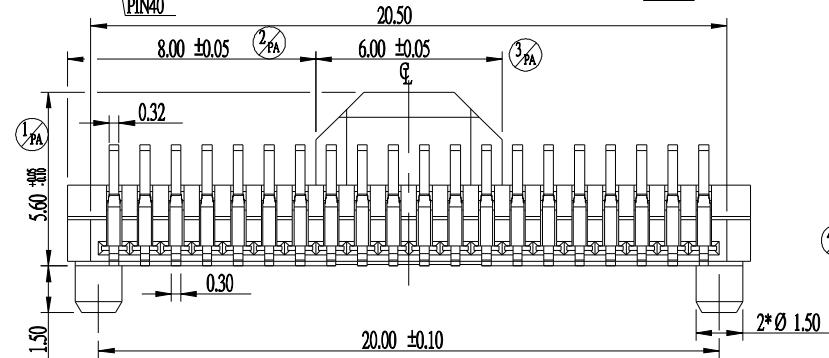
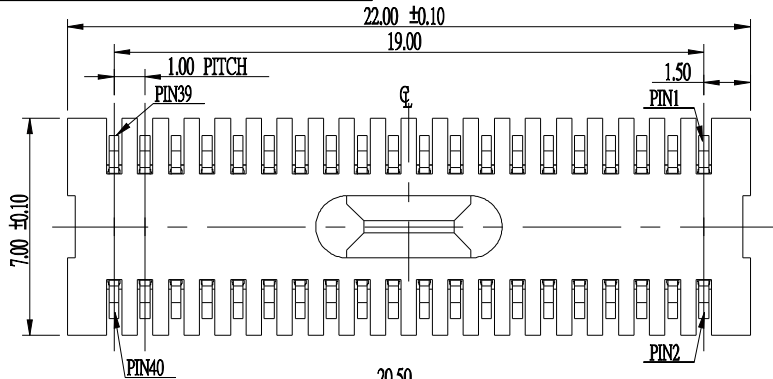




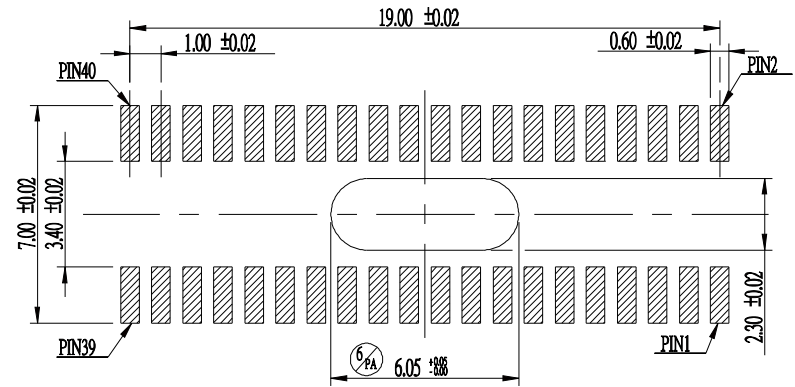
RoHS
Compliant
2002/95/EC

HSF

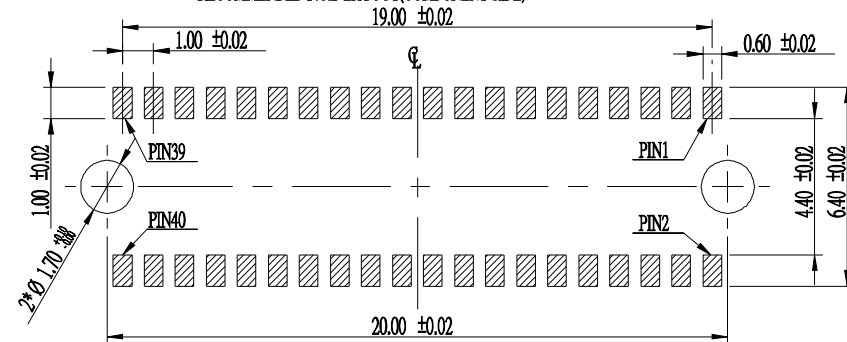
Level-1 Controlled Substances are banned



RECOMMENDED CONTACT BOARD LAYOUT



RECOMMENDED P.C.B LAYOUT (COMPONENT SIDE)



100100MA040G X10ZR

PLATING:
G1-05u" GOLD OVER NICKEL.
G2-GOLD FLASH OVER NICKEL.
G3-10u" GOLD OVER NICKEL.
G4-15u" GOLD OVER NICKEL.
G5-30u" GOLD OVER NICKEL.

| 3 | | | | |
|-----|-------------|---------------|-------|-------------|
| 2 | TERMINAL | BcCu(C1720-E) | | GOLD PLATED |
| 1 | PLASTIC | LCP | BLACK | UL 94V-0 |
| NO. | DESCRIPTION | MATERIAL | COLOR | REMARK |

SUYIN
CONNECTOR

| | | | | |
|---------------|--------------------------------------|---------------------|----|---------------|
| CUSTOMER COPY | TITLE: 1.00mm PITCH SPRING TYPE CONN | | | |
| PART NO. | | 100100MA040GX10ZR | | |
| PRODUCT SPEC. | | 100100MAXXXX10XX | | |
| FILE NAME. | C | 100100MA040GX10ZR-C | | |
| SCALE | 4:1 | UNIT:mm | A4 | SHEET: 1 of 2 |

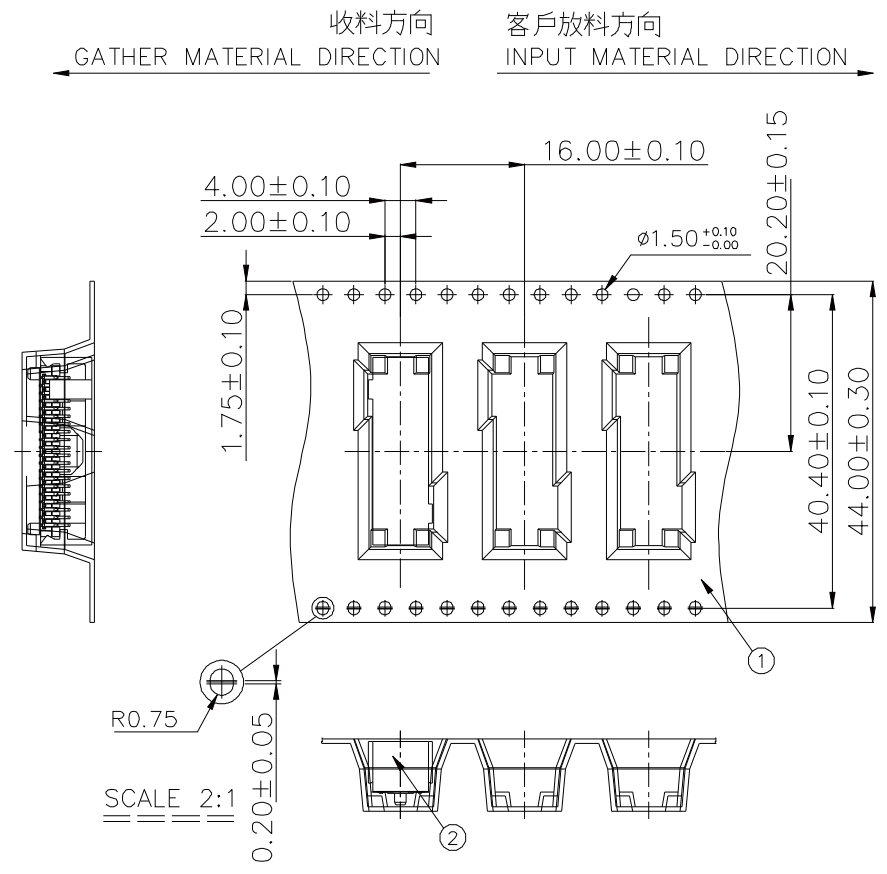
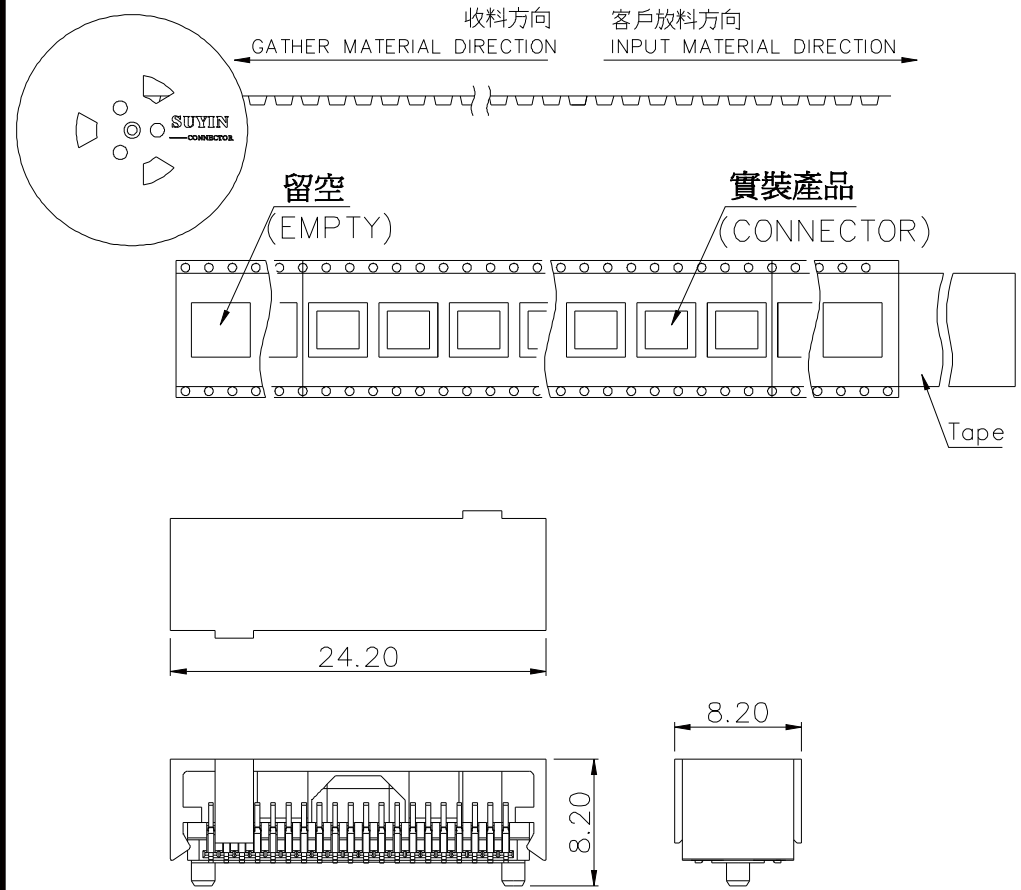
| | | | | | | | | | |
|----------------|-----|----------|-------------|--------|---------|---|--------|-----|----------|
| | | | | | Angle | ±2° | DRAW | 楚永兵 | 08/05/06 |
| | | | | | 30 - | ±0.50 | DESIGN | 楚永兵 | 08/05/06 |
| DCBS-080506-09 | PA | 08/05/06 | NEW | 楚永兵 | 10 ~ 30 | ±0.30 | CHECK | 王元幣 | 08/05/06 |
| | PO | 07/10/31 | NEW | 楚永兵 | ~ 10 | ±0.15 | APPRO. | 鄭家奇 | 08/05/06 |
| ECN(DCN) NO. | REV | DATE | DESCRIPTION | CHANGE | APPRO. | GENERAL TOLERANCE UNLESS OTHERWISE NOTED | APPRO. | 鄭家奇 | 08/05/06 |

Original: Draw: 楚永兵 Design: 楚永兵 Check: 王元幣 Appr: 鄭家奇 發行日期: 07/10/31

071031-BB150

Pb RoHS Compliant **HSF**
Process Capable 2002/95/EC

Level-1 Controlled Substances are banned



PACKAGE INFORMATION

| PART NUMBER | Q'TY PER REEL | 一外箱裝包裝盤 | Q'TY PER BOX |
|-------------------|---------------|---------|--------------|
| 100100MA040GX10ZR | 450 PCS | 8 R | 3600 PCS |

NOTE: ALL DIMENSIONS TOLERANCE ARE:
 1. ±0.25mm UNLESS OTHERWISE NOTED.
 2. COMPONENT LOAD BY 13" REEL.
 3. 包裝所用外箱為 OC0137.

| 3 | | | | |
|-----|-------------|----------|-------|-------------------|
| 2 | PRODUCT | | | 100100MA040GX10ZR |
| 1 | REEL | PS | BLACK | IPR0017-040-91 |
| NO. | DESCRIPTION | MATERIAL | COLOR | REMARK |

SUYIN
CONNECTOR

| | | | | |
|---------------|--------------------------------------|---------------------|----|---------------|
| CUSTOMER COPY | TITLE: 1.00mm PITCH SPRING TYPE CONN | | | |
| PART NO. | | 100100MA040GX10ZR | | |
| PRODUCT SPEC. | | 100100MAXXXXXX10XX | | |
| FILE NAME. | C | 100100MA040GX10ZR-C | | |
| SCALE | 1:1 | UNIT:mm | A4 | SHEET: 2 of 2 |

| DCBS-080506-09 | PA | 08'/05/06 | PA1: 變裝包裝由PR0017-040-90=>IPR0017-040-91. | 李虎城 | 鄭家奇 | Angle | ±2° | DRAW | 李虎城 | 08'/05/06 |
|----------------|-----|-----------|--|--------|--------|---------|-------|--------|-----|-----------|
| | PO | 07'/10/31 | NEW | 秦麗飛 | 鄭家奇 | 30 ~ | ±0.50 | DESIGN | 李虎城 | 08'/05/06 |
| | | | | | | 10 ~ 30 | ±0.30 | CHECK | 馬克鋒 | 08'/05/06 |
| ECN(DCN) NO. | REV | DATE | DESCRIPTION | CHANGE | APPRO. | ~ 10 | ±0.15 | APPRO. | 鄭家奇 | 08'/05/06 |

Original: Draw: 秦麗飛 Design: 秦麗飛 Check: 李虎城 Appro: 鄭家奇 發行日期 07'/10/31

071031-BB150