

3172 SERIES D-SUB CONNECTORS RIGHT ANGLE 8.08mm FOOT PRINT

REV	DATE	DESCRIPTION	ECN NO.	NAME
A	00.05.02	NEW RELEASE		TINA

MATERIAL

HOUSING : THERMOPLASTIC (UL94V-0)
 TERMINAL : COPPER ALLOY
 SHELL : STEEL
 BRACKET : COPPER ALLOY , NICKEL PLATED
 RIVET : COPPE ALLOY , NICKEL PLATED

NO. OF CONTACTS	A	B	C
09F	16.33	24.99	30.80
15F	24.66	33.32	39.10
25F	38.38	47.04	53.00
37F	54.84	63.50	69.32

	D	INNER SCREW THREAD	OUTER SCREW THREAD
S:SS6-A47511848	4.8	#4-40 UNC	#4-40 UNC
1:SS6-A47512862	6.2		
2:SS6-A47513058	5.8		
3:SS6-A47511848A	4.8		
4:SS6-A47510148	4.8		
5:SS6-B47512862	6.2	M2.6	#4-40 UNC

ORDER INFORMATION

3172 - ** F A * * * *

0925
1537

F:FEMALE

A:WITH HARPOON GROUNDING BRACKET
& #4-40 UNC THREADED
RIVETED INSERT

Z:ZINC YELLOW
T:TIN
N:NICKEL

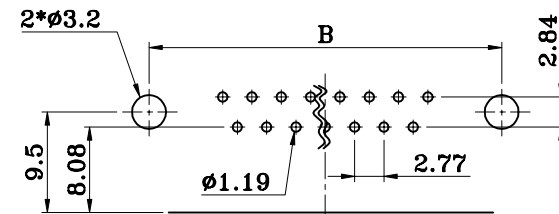
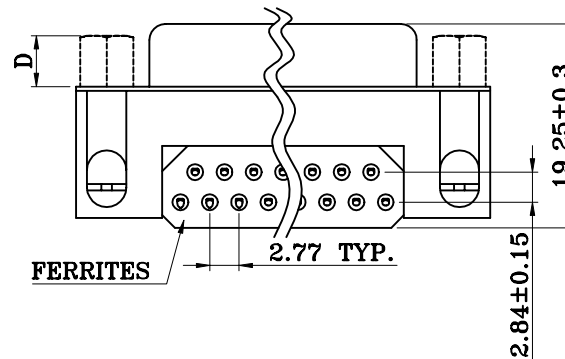
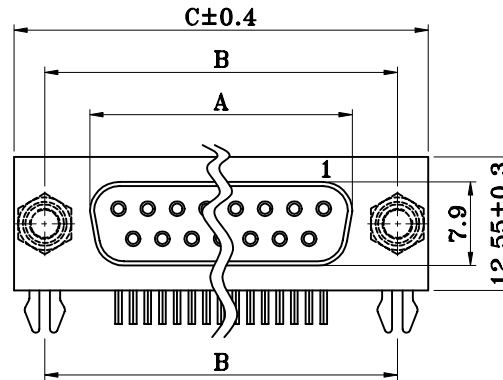
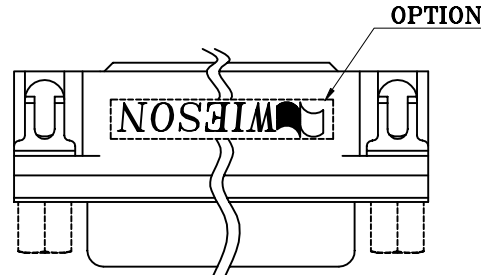
W:WIESON MARK
N:NO MARK

X:WITHOUT JACK SCREW

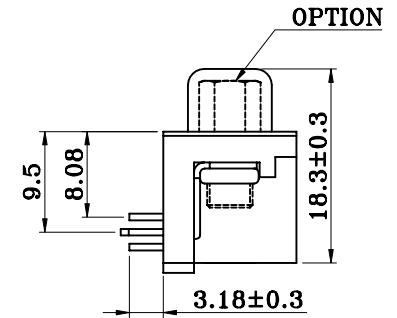
S:SS6-A47511848
1:SS6-A47512862
2:SS6-A47513058
3:SS6-A47511848A
4:SS6-A47510148
5:SS6-B47512862

T1:TIN
S1:GOLD FLASH F1:GOLD FLASH
S2:5μ" GOLD F2:5μ" GOLD
S3:10μ" GOLD F3:10μ" GOLD
S4:15μ" GOLD F4:15μ" GOLD
S5:30μ" GOLD F5:30μ" GOLD
S6:3μ" GOLD F6:3μ" GOLD

NOTE:P.C.B LAYOUT TOLERANCE:±0.05mm



EDGE
RECOMMENDED P.C.BOARD
HOLE LAYOUT



GENERAL TOLERANCE	WIESON ELECTRONIC CO., LTD DRAWN BY CHECKED BY APPROVED BY SORTING NO.	PART NO.:		
±0.25mm		TINA (WST)	3172-** F A * * * *	
GENERAL ANGLE TOLERANCE		CHYN	DRAWING NO.	3172-008
±3°		KEVN	DRAWING SIZE	2 : 1 A3
			UNIT	mm
		PAGE	1 OF 1	

已發行

[ARTICLE:044033 V1]