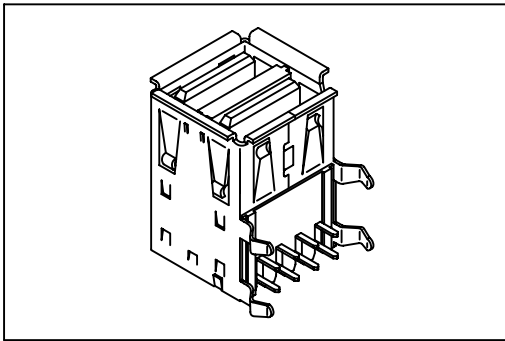


8968 Series Stack

USB A Type



Material:

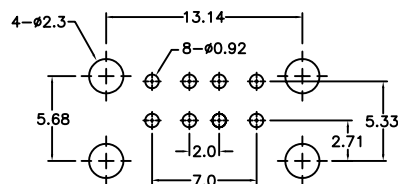
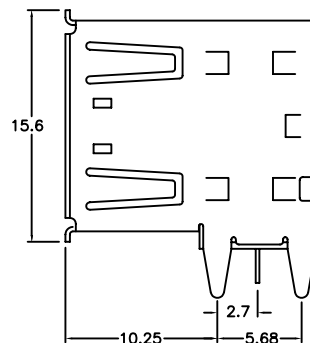
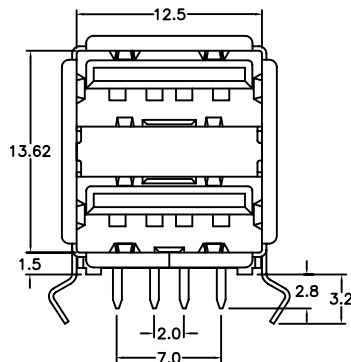
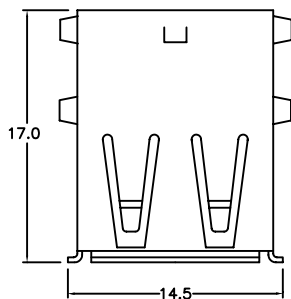
Housing: PBT UL94V-0.
 Contacts: Phosphor Bronze.
 Shell: 0.4 Brass Ni100u".
 Plating: Selective Gold Plated.

Electrical Characteristics:

Current Rating: 1 AMP.
 Insulator Resistance: 1000MΩmin. at DC 500V.
 Contact Resistance: 30mΩmax. at DC 100mA.
 Operating Temperature: -40°C~+105°C.

Features:

- * Compact and low profile design for saving space.
- * High reliable contact with low insertion force.
- * Straight and right angle type facilitate engineering design.



P.C. Board Layout
(Top View)

Ordering information

<u>8968-A</u>	<u>08</u>	<u>C</u>	<u>00</u>	<u>R</u>	<u>W</u>	<u>A</u>
Series	Position	C: Selective Gold Plated	00: G/F 30: 30 μ"	R: Right Angle	W: White PBT B: Black PBT	A: Tray Package