

AVR1924: XMEGA-A1 Xplained Hardware User's Guide



Features

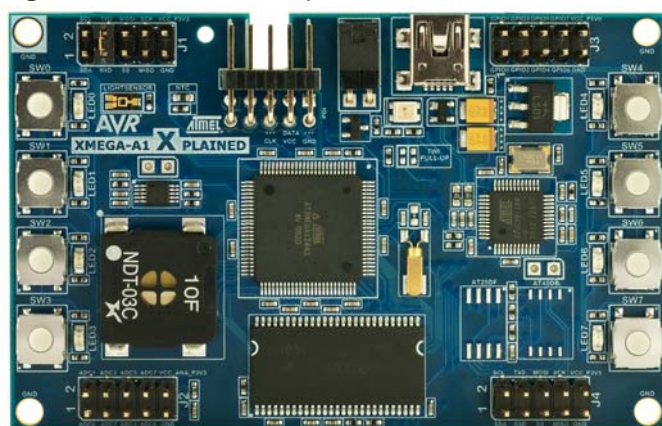
- Atmel® ATxmega128A1 microcontroller
- External memory
 - 8MB SDRAM
- Atmel AT32UC3B1256
 - Communication gateway
 - Programmer for Atmel AVR® XMEGA®
- Analog input (to ADC)
 - Temperature sensor
 - Light sensor
- Analog output (from DAC)
 - Mono speaker via audio amplifier
- Digital I/O
 - UART communication through USB gateway
 - Eight mechanical button switches
 - Eight LEDs
 - Eight spare analog pins
 - 24 spare digital pins

1 Introduction

The Atmel XMEGA-A1 Xplained evaluation kit is a hardware platform to evaluate the Atmel ATxmega128A1 microcontroller.

The kit offers a larger range of features that enables the Atmel AVR XMEGA user to get started using XMEGA peripherals right away and understand how to integrate the XMEGA device in their own design.

Figure 1-1. XMEGA-A1 Xplained evaluation kit.



8-bit **AVR**[®]
Microcontrollers

Application Note

Preliminary

Rev. 8370B-AVR-02/11



2 Related items

Atmel FLIP (Flexible In-system Programmer)

http://www.atmel.com/dyn/products/tools_card.asp?tool_id=3886

Atmel AVR Studio® 4 (free Atmel IDE)

http://www.atmel.com/dyn/products/tools_card.asp?tool_id=2725

Atmel AVR JTAGICE mkII (on-chip programming and debugging tool)

http://www.atmel.com/dyn/products/tools_card.asp?tool_id=3353

Atmel AVR ONE! (on-chip programming and debugging tool)

http://www.atmel.com/dyn/products/tools_card.asp?tool_id=4279

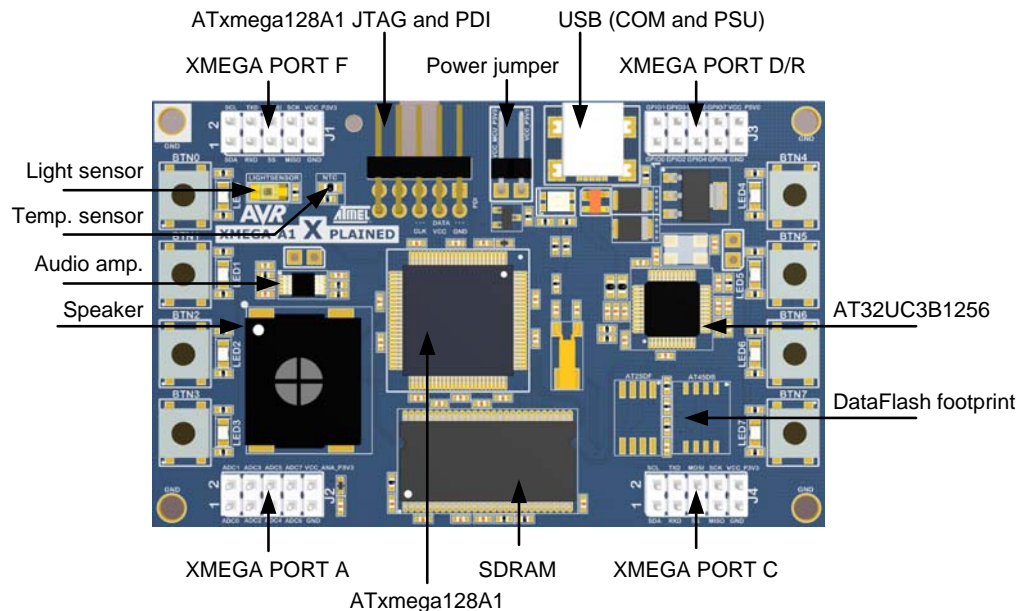
3 General information

This document targets the Atmel XMEGA-A1 Xplained evaluation kit, revision 9. The schematic, layout, and bill of materials can be found online in the zip files associated with this application note at:

http://www.atmel.com/products/AVR/xplain.asp?family_id=607&source=redirect.

The XMEGA-A1 Xplained kit is intended to demonstrate the Atmel ATxmega128A1 microcontroller, and the hardware that relates to the Atmel AT32UC3B1256 is, therefore, not covered in this document.

Figure 3-1. Overview of the XMEGA-A1 Xplained kit.



3.1 Preprogrammed firmware

The Atmel ATxmega128A1 and AT32UC3B1256 that come with the Atmel XMEGA-A1 Xplained kit are both preprogrammed.

The preprogrammed firmware in the XMEGA plays different sounds when the mechanical button switches are pushed.

The preprogrammed Atmel AT32UC3B1256 firmware offers features such as a boot loader for self-programming and a UART-to-USB gateway.

3.2 Power supply

The kit is powered via the USB connector, which leaves two options to power it: Connect the kit either to a PC through a USB cable, or to a 5V USB power supply (AC/DC adapter).

3.3 Measuring the XMEGA power consumption

As part of an evaluation of the Atmel ATxmega128A1, it can be of interest to measure its power consumption. The power jumper (J300) is connected between the 3.3V regulated voltage from the regulator and the ATxmega128A1 supply. By replacing the jumper with an ammeter, it is possible to measure the current consumption of the ATxmega128A1. No other components are connected to the same supply as the ATxmega128A1, and other components, therefore, do not affect the measurement of the ATxmega128A1 current consumption (except the DC leakage in the decoupling capacitors).

3.4 Programming the XMEGA through the UART-to-USB gateway

The ATxmega128A1 has a pre-programmed UART boot loader. How to program the device through the UART-to-USB gateway is described in the Atmel application note "AVR1927: XMEGA-A1 Xplained Getting started guide".

3.5 Communication through the UART-to-USB gateway

The XMEGA UARTC0 is connected to a UART on the AT32UC3B1256. The AT32UC3B1256 UART is communicating at 57600 baud, using one start bit, eight data bits, one stop bit, and no parity.

When the AT32UC3B1256 device is enumerated (connected to a PC), the data transmitted from the XMEGA is passed on to a (virtual) COM port. This means that it is possible to use a terminal program to receive the transmitted data on a PC. Similarly, data transmitted from the PC COM port is passed on to the XMEGA UART through the gateway.

NOTE

The AT32UC3B1256 is also connected to the shared SPI and TWI lines, and so it is also possible to add TWI and SPI gateway functionality for these serial interfaces, if desired. This gateway functionality is not available in the default firmware for the AT32UC3B1256. Please refer to the schematics for more information about these connections.





4 Connectors

The Atmel XMEGA-A1 Xplained kit has five 10-pin, 100mil headers. One header is used for programming the Atmel ATxmega128A1, and the others are used to access spare analog and digital pins on the XMEGA (expansion headers).

4.1 Programming headers

The XMEGA can be programmed and debugged by connecting an external programming/debugging tool to the JTAG and PDI header (J201). The header has a standard JTAG programmer pin-out (refer to online help in the Atmel AVR Studio), and tools like the JTAGICE mkII or AVR ONE! can thus be connected directly to the header. If it is desired to use PDI programming/debugging, an adapter must be used.

Due to physical differences of the JTAGICE mkII and AVR ONE! probes, the PCB has an opening below the JTAG and PDI header. This is to make room for the orientation tap on the JTAGICE mkII probe.

Table 4-1. XMEGA programming and debugging interface – JTAG and PDI.

J201 pin	JTAG ⁽¹⁾	PDI ⁽²⁾
1	TCK	-
2	GND	GND ⁽³⁾
3	TDO	-
4	VCC	VCC ⁽³⁾
5	TMS	-
6	nSRST	CLK
7	-	-
8	-	DATA
9	TDI	-
10	GND	GND ⁽³⁾

- Notes:
1. Standard pin-out for JTAGICE mkII and other Atmel programming tools.
 2. Requires adapter to connect a JTAGICE mkII (refer to AVR Studio help).
 3. It is only required to connect on VCC/GND pin.

The Atmel AT32UC3B1256 can be programmed through its boot loader. The boot loader is evoked by shorting the J600 jumper before applying power to the board. The programming is performed through the FLIP plug-in in AVR Studio (which can also be started as a standalone application).

FLIP (Flexible In-system Programmer) is free Atmel proprietary software that runs on Windows® 9x/Me/NT/2000/XP and Linux® x86. FLIP supports in-system programming of flash devices through RS232, USB, or CAN.

Alternatively, the AT32UC3B1256 can be programmed by connecting a programming tool, such as JTAGICE mkII, to test points TP600-607.

NOTE

It is not recommended to program the AT32UC3B1256 using a programming tool, as this will erase the boot loader.

4.2 I/O expansion headers

The XMEGA analog PORTA is available on the J2 header. This allows the user to connect external signals to the analog-to-digital converter (ADC), digital-to-analog converter (DAC), and analog comparators on PORTA.

The XMEGA digital PORTF and PORTC are available on the J1 and J4 headers, respectively. These ports feature general-purpose I/O and various communication modules (USART, SPI, and TWI). PORTD and PORTF are mixed on the J3 header.

NOTE

The communication modules on PORTC and PORTF can be interconnected to test various functions and features: The USART can loop back communication with a jumper, or communicate between the two USARTs on the port. The native SPI and the USART in SPI master mode can be connected, and the TWI module can be enabled in both master and slave modes at the same time to get loop-back behavior. (Pull-up resistors can be mounted on R101 and R102. These are not mounted from the factory.)



5 Attached memories

The Atmel XMEGA-A1 Xplained kit demonstrates how to use the external bus interface (EBI) module to connect a 4-bit SDRAM. An 8MB SDRAM (16Mb x 4) is attached in three-port EBI mode (PORTH, PORTK, and PORTJ).

6 Miscellaneous I/O

6.1 Mechanical button switches

Eight mechanical button switches are connected to XMEGA PORTD(PD0:PD5) and PORTR(PR0:PR1). Internal pull-ups should be enabled to detect when the buttons are pushed, as they short the respective line to GND.

NOTE

Buttons share the pins with the J3 header: Pushing the buttons potentially affects communication or other functionality on these pins.

6.2 LEDs

Eight LEDs are connected to XMEGA PORTE. The LEDs are active low, and thus light up when the respective lines are output low by the XMEGA.

6.3 Analog I/O

An NTC temperature sensor and a light sensor are connected to PORTB on PB0 and PB1, respectively. These analog references can be used as input to the ADC.

An audio amplifier (and mono speaker) is connected to PORTB on pin PB2. This pin is connected to the XMEGA DAC, and thus offers a way to generate sound.



7 Included code example

The example application is based on the Atmel AVR Software Framework found online at <http://asf.atmel.no>. For documentation, help, and examples on the drivers used, please see the website.

For more information about the included code example, see the Atmel application note "AVR1927: XMEGA-A1 Xplained Getting Started Guide".

7.1 Compiling and running

The code examples to be found in ASF can be compiled by running make on the makefile included in the project, or by opening the project in IAR™, and compiling the project within IAR.

8 Further code examples and drivers

Several Getting-Started trainings for the Atmel XMEGA-A1 Xplained kit can be downloaded from the Atmel website. These trainings offer general introduction to XMEGA peripherals. Please refer to AVR1500 through AVR1510.

Further information and drivers for XMEGA can be downloaded as application notes, also distributed from the Atmel website.



9 Known issues

9.1 Light sensor

The output range of the light sensor is 0V – 3.3V. The ADC reference must therefore be high enough to match the output range of the light sensor when performing measurements.

9.2 USB test points

Touching the test points of the USB data lines on the reverse side of the board while there is an ongoing communication, might interrupt the device and cause the device to stop responding. The kit must be reconnected to start working properly again.

10 Revision history

The revision of the evaluation kit can be found on the sticker on the reverse side of the PCB.

10.1 Revision 7

The Atmel XMEGA-A1 Xplained kit, revision 7, is the first released revision of the XMEGA-A1 Xplained kit.

This kit replaces the Atmel Xplain evaluation kit. Information about the original Xplain evaluation kit can be found in application note AVR1907.

10.2 Revisions 1 to 6

Not released.



11 Table of contents

Features	1
1 Introduction	1
2 Related items	2
3 General information	2
3.1 Preprogrammed firmware.....	2
3.2 Power supply	3
3.3 Measuring the XMEGA power consumption	3
3.4 Programming the XMEGA through the UART-to-USB gateway	3
3.5 Communication through the UART-to-USB gateway	3
4 Connectors	4
4.1 Programming headers.....	4
4.2 I/O expansion headers	5
5 Attached memories	6
6 Miscellaneous I/O	7
6.1 Mechanical button switches	7
6.2 LEDs.....	7
6.3 Analog I/O.....	7
7 Included code example	8
7.1 Compiling and running	8
8 Further code examples and drivers	9
9 Known issues	10
9.1 Light sensor	10
9.2 USB test points.....	10
10 Revision history	11
10.1 Revision 7.....	11
10.2 Revisions 1 to 6.....	11
11 Table of contents	12

**Atmel Corporation**

2325 Orchard Parkway
San Jose, CA 95131
USA

Tel: (+1)(408) 441-0311

Fax: (+1)(408) 487-2600

www.atmel.com

Atmel Asia Limited

Unit 01-5 & 16, 19F
BEA Tower, Millennium City 5
418 Kwun Tong Road

Kwun Tong, Kowloon

HONG KONG

Tel: (+852) 2245-6100

Fax: (+852) 2722-1369

Atmel Munich GmbH

Business Campus
Parkring 4
D-85748 Garching b. Munich
GERMANY

Tel: (+49) 89-31970-0

Fax: (+49) 89-3194621

Atmel Japan

9F, Tonetsu Shinkawa Bldg.
1-24-8 Shinkawa
Chou-ku, Tokyo 104-0033
JAPAN

Tel: (+81) 3523-3551

Fax: (+81) 3523-7581

© 2011 Atmel Corporation. All rights reserved. / Rev.: CORP0xxxxx

Atmel®, Atmel logo and combinations thereof, AVR®, AVR Logo®, AVR Studio®, XMEGA® and others are registered trademarks or trademarks of Atmel Corporation or its subsidiaries. Windows® and others are registered trademarks of Microsoft Corporation in U.S. and or other countries. Other terms and product names may be trademarks of others.

Disclaimer: The information in this document is provided in connection with Atmel products. No license, express or implied, by estoppel or otherwise, to any intellectual property right is granted by this document or in connection with the sale of Atmel products. **EXCEPT AS SET FORTH IN THE ATMEL TERMS AND CONDITIONS OF SALES LOCATED ON THE ATMEL WEBSITE, ATMEL ASSUMES NO LIABILITY WHATSOEVER AND DISCLAIMS ANY EXPRESS, IMPLIED OR STATUTORY WARRANTY RELATING TO ITS PRODUCTS INCLUDING, BUT NOT LIMITED TO, THE IMPLIED WARRANTY OF MERCHANTABILITY, FITNESS FOR A PARTICULAR PURPOSE, OR NON-INFRINGEMENT. IN NO EVENT SHALL ATMEL BE LIABLE FOR ANY DIRECT, INDIRECT, CONSEQUENTIAL, PUNITIVE, SPECIAL OR INCIDENTAL DAMAGES (INCLUDING, WITHOUT LIMITATION, DAMAGES FOR LOSS AND PROFITS, BUSINESS INTERRUPTION, OR LOSS OF INFORMATION) ARISING OUT OF THE USE OR INABILITY TO USE THIS DOCUMENT, EVEN IF ATMEL HAS BEEN ADVISED OF THE POSSIBILITY OF SUCH DAMAGES.** Atmel makes no representations or warranties with respect to the accuracy or completeness of the contents of this document and reserves the right to make changes to specifications and product descriptions at any time without notice. Atmel does not make any commitment to update the information contained herein. Unless specifically provided otherwise, Atmel products are not suitable for, and shall not be used in, automotive applications. Atmel products are not intended, authorized, or warranted for use as components in applications intended to support or sustain life.