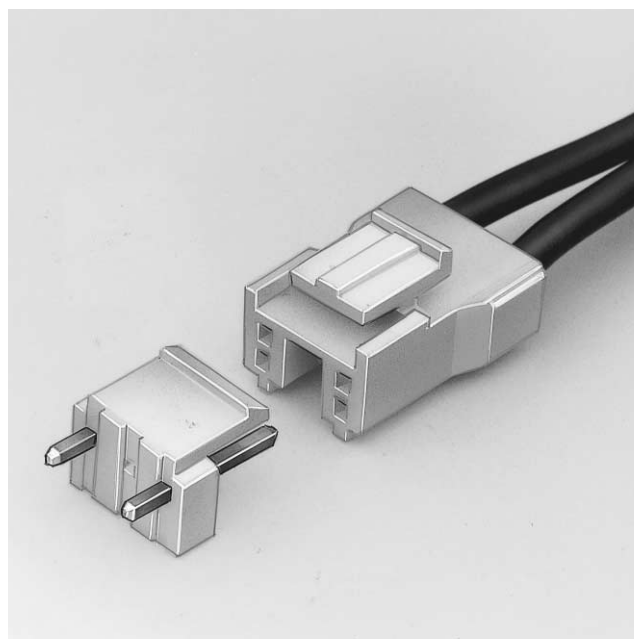
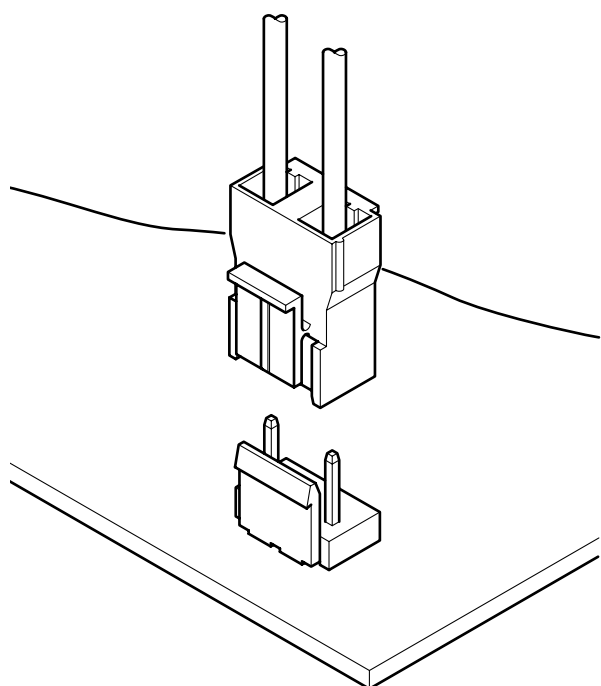


NVA CONNECTOR

Disconnectable Crimp style connectors



7.92mm (.312") pitch crimp style, large current carrying capacity connector, that is best suited for various kinds of power supply circuits. Box-shaped contacts offer reliable connection.



Features

• Housing lances

The lances on the housing ensure easy insertion and secure locking of the contact into the housing.

• Box contact

This connector has the box-shaped contact. The reliable NVA connector can be used in a wide variety of applications, from low-voltage, low-current signal circuits to power supply circuits having a relatively large capacity.

• Secure contact and mounting

The housing has an arm lock mechanism which prevents the connector from working loose due to vibration. The mechanism also prevents misinsertion (misalignment or reverse insertion).

• Applicable up to 10A

The NVA connector is a large current carrying capacity, crimp style, printed circuit board connector with 7.92mm (.312") pitch. Can be connected to vinyl insulated flat cables (such as SPT, HVFF) ranging from 20 to 16 AWG which are used for primary sides of power circuits.

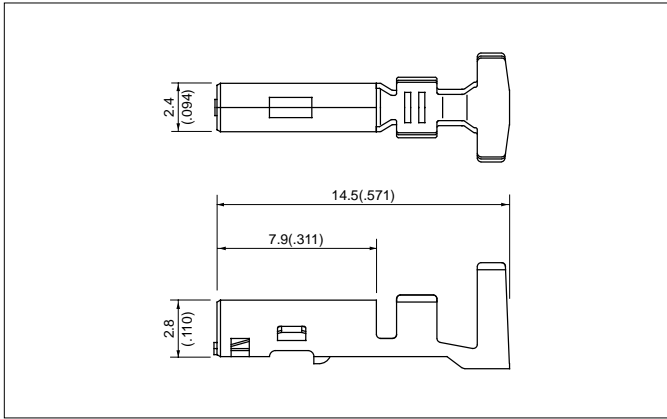
Specifications

- Current rating: 10A AC, DC (AWG #16)
- Voltage rating: 250V AC, DC
- Temperature range: -25°C to +85°C
(including temperature rise in applying electrical current)
- Contact resistance: Initial value/10m Ω max.
After environmental testing/20m Ω max.
- Insulation resistance: 1,000M Ω min.
- Withstanding voltage: 1,500V AC/minute
- Applicable wire: AWG #20 to #16
- Applicable PC board thickness: 1.6mm(.063")
- * Contact JST if Lead-Free product is required.
- * Temperature Range:
The aforementioned temperature range of this connector is described in JST Standard Product Specification. Maximum temperature registered in UL is 105°C.
- * Refer to "General Instruction and Notice when using Terminals and Connectors" at the end of this catalog.
- * Contact JST for details.

Standards

- Ⓜ Recognized E60389
- Ⓢ Certified LR20812
- Ⓜ R9251675

Contact

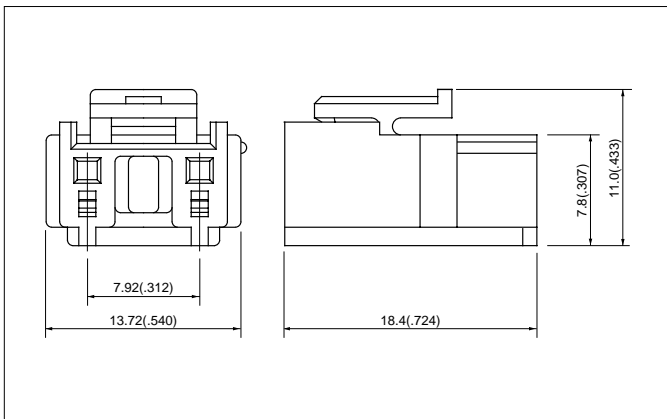


Model No.	Applicable wire		Q'ty / reel
	AWG #	Insulation O.D. mm(in.)	
SVT-41T-P1.1	20 to 16	3.9 to 2.7 (.154 to .106)	2,500

Material and Finish

Alloy (phosphor bronze system), tin-plated

Housing

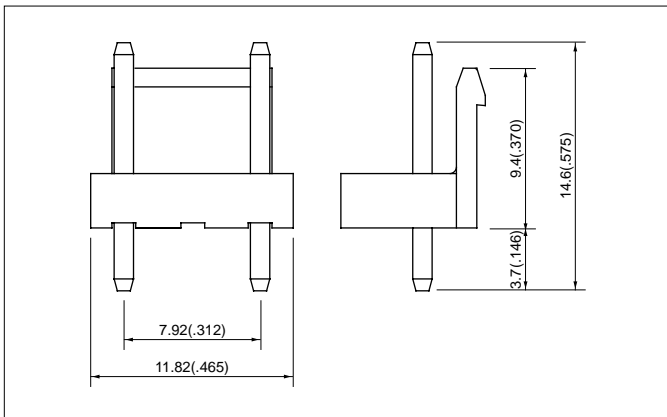


Circuit	Model No.	Q'ty / bag
2	NVAR-02VS	1,000

Material

Nylon 66, UL94V-0, natural (white)

Locking header



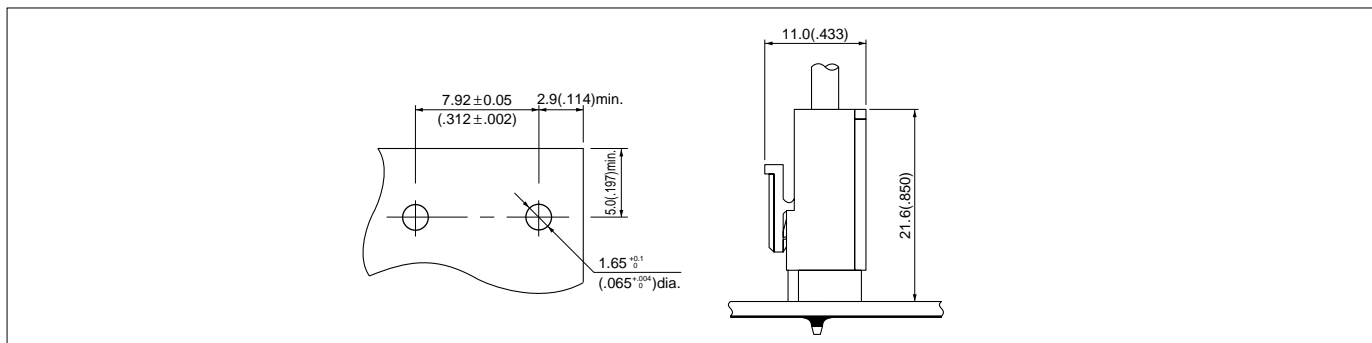
Circuit	Model No.	Q'ty / box
2	B2P3-VH	1,000

Material and Finish

Post: Brass, copper-undercoated, tin/lead-plated
Wafer: Nylon 66, UL94V-0, natural (white)

NVA CONNECTOR

PC board layout (viewed from component side) and Assembly layout



Note:

1. Tolerances are non-cumulative: $\pm 0.05\text{mm}$ ($\pm 0.002''$) for all centers.
2. Hole dimensions differ according to the kind of PC board and piercing method. The dimensions above should serve as a guideline. Contact JST for details.

Applicator for the semi-automatic press AP-K2N

Contact	Crimp applicator MKS-L		Compact crimp applicator MKS-LS		Strip-crimp applicator MKS-SC
	with safety cover	without safety cover	with safety cover	without safety cover	with safety cover
SVT-41T-P1.1	APLMK SVT41-11	APLNC SVT41-11	-	-	-