

Multi-Chip Super Flux White LED

JMZ281P7FW5

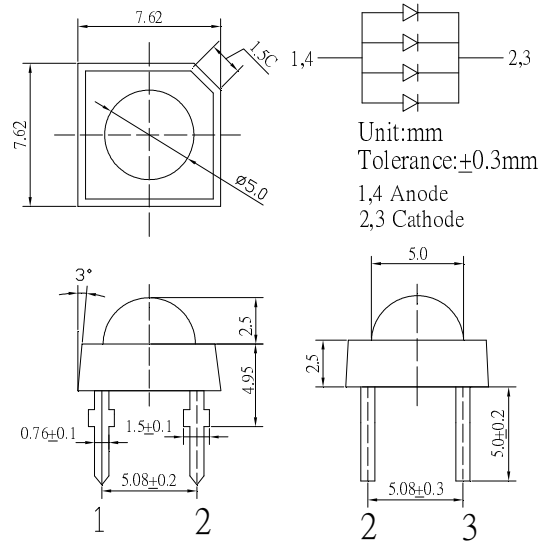
■Features

- High Luminous Super Flux Output
- 5 ° Standard Directivity
- Long Lifetime Operation
- Superior Weather-resistance
- UV Resistant Epoxy
- Water Clear Type

■Applications

- Interior and exterior automotive lighting (e.g. dashboard backlighting etc.)
- Backlighting (Illuminated advertising, general lighting, etc)
- Decorative Lighting
- Other Lighting

■Outline Dimension

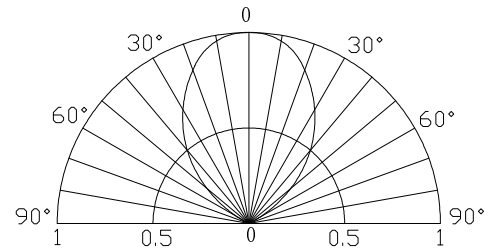


■Absolute Maximum Rating

(Ta=25°C)

Item	Symbol	Value	Unit
DC Forward Current	I _F	100	mA
Pulse Forward Current*	I _{FP}	400	mA
Reverse Voltage	V _R	5	V
Power Dissipation	P _D	380	mW
Operating Temperature	T _{opr}	-30 ~ +85	°C
Storage Temperature	T _{stg}	-40 ~ +100	°C
Lead Soldering Temperature	T _{sol}	260°C/5sec	-

■Directivity



*Pulse width Max.10ms Duty ratio max 1/10

■Electrical -Optical Characteristics

(Ta=25°C)

Item	Symbol	Condition	Min.	Typ.	Max.	Unit
DC Forward Voltage	V _F	I _F =80mA	2.9	3.2	3.8	V
DC Reverse Current	I _R	V _R =5V	-	-	40	μA
Luminous Intensity*	I _v	I _F =80mA	8000	10000	-	mcd
Chromaticity Coordinates*	x	I _F =80mA	-	0.27	-	
	y	I _F =80mA	-	0.28	-	
50% Power Angle	2θ _{1/2}	I _F =80mA	-	80	-	deg

*1 Tolerance of chromaticity coordinates is ±10%

*2 Tolerance of luminous intensity is ±15%

LED & Application Technologies

