

RCA JACK SERIES

REV	DATE	DESCRIPTION	ECN NO.	NAME
A	04.05.05	NEW RELEASE		JING

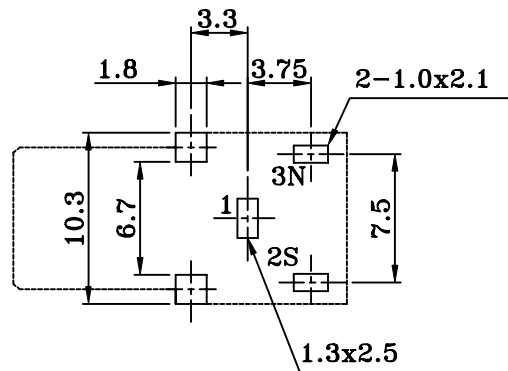
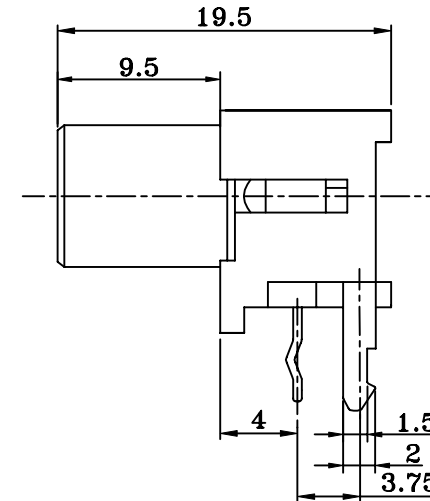
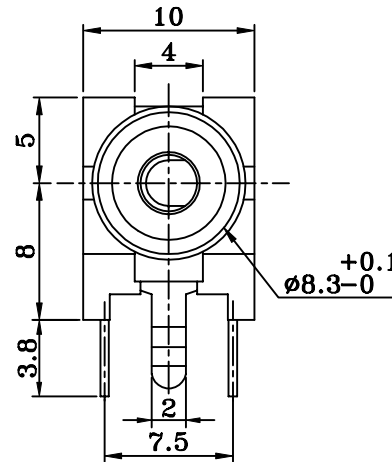
MATERIAL

HOUSING: THERMOPLASTIC (UL94V-0)
 HOUSING COLOR: SEE ORDERING INFORMATION
 TERMINAL: COPPER ALLOY
 TERMINAL PLATED: SEE ORDERING INFORMATION
 GROUND PIN: COPPER ALLOY
 GROUND PIN PLATED: NICKEL PLATED

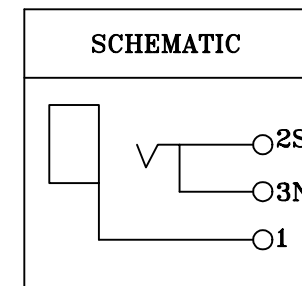
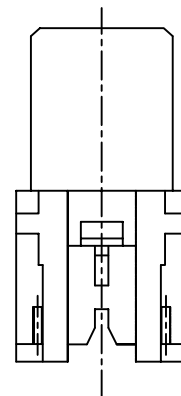
ORDERING INFORMATION

WS - RCA005B * ** N

B: BLACK N: NO MARK
 W: WHITE T1: 100u" min. Sn/Pb OVER
 Y: YELLOW 50u" min. Ni UNDERPLATED
 R: RED OVERALL
 F: ORANGE V1: Ag PLATED



RECOMMENDED P.C. BOARD
 HOLE LAYOUT



NOTE: P.C.B LAYOUT TOLERANCE: ±0.05mm.

GENERAL TOLERANCE ±0.25mm	WIESON TECHNOLOGIES CO., LTD	PART NO.: WS-RCA005B*T1N	
		DRAWN BY JING(WSC)	DRAWING NO. WS-RCA005B*T1N
GENERAL ANGLE TOLERANCE ±3°	CHECKED BY KEVIN	DRAWING SIZE 3 : 1	A3
	APPROVED BY EDWARD	UNIT mm	
	SORTING NO. P11800(WST)	PAGE 1	OF 1

ISSUED

[ARTICLE: 044033 V3]