

3515 SERIES USB MINI-B RECEPTACLE (SHORT TYPE)

MATERIAL:

HOUSING: THERMOPLASTIC (UL94V-0)

HOUSING COLOR: BLACK

TERMINAL: COPPER ALLOY

△ FINISH: SELECTIVE PLATING IN CONTACT AREA, 150u"

Min. Tin/Lead (OR Tin FOR G3515-1*****)

ON SOLDER TAIL, BOTH OVER

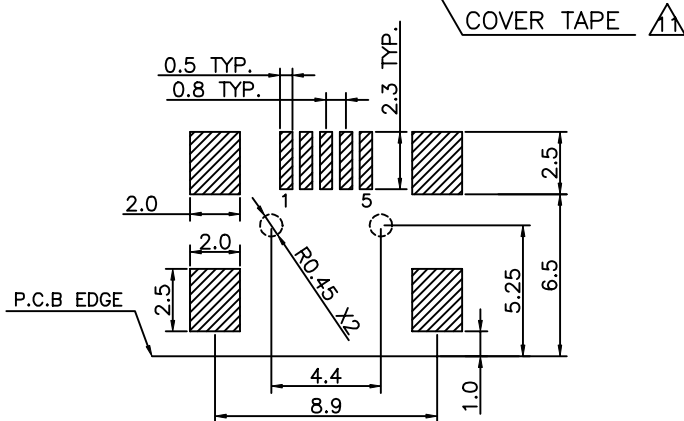
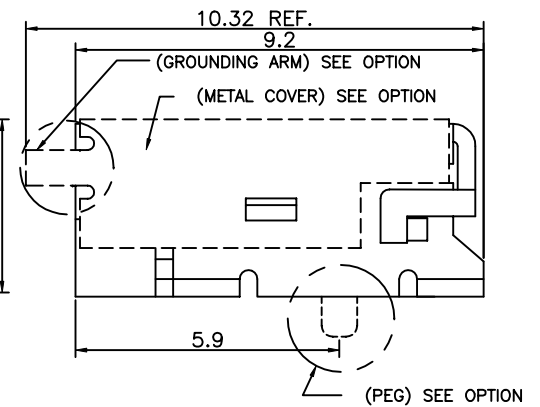
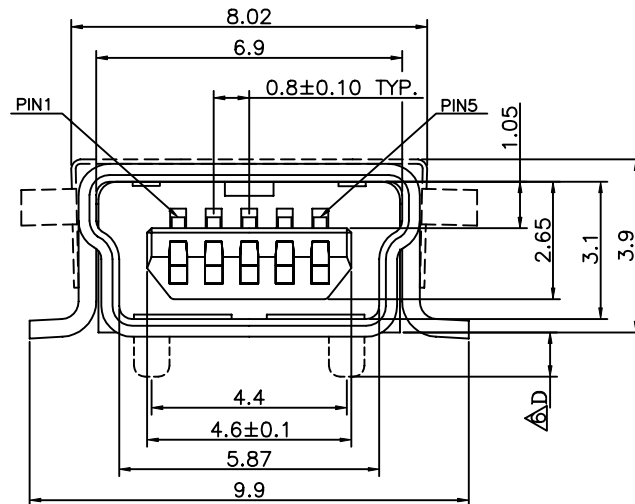
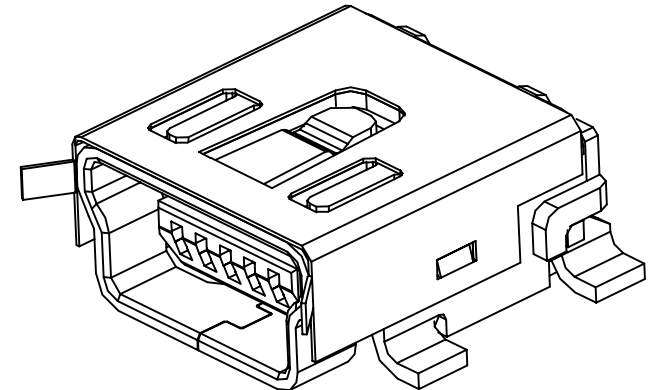
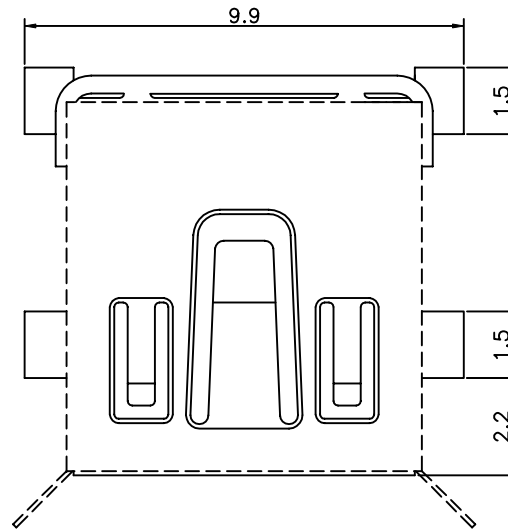
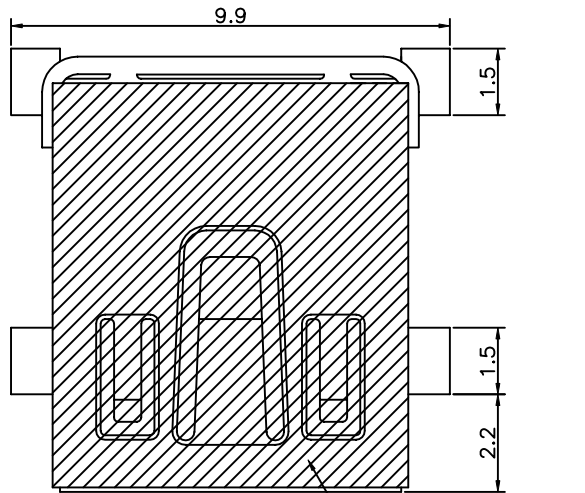
50u" Min. NICKEL UNDERPLATED OVERALL.

SHELL: COPPER ALLOY.

△△△ FINISH: SEE ORDER INFORMATION

GROUNDING PLATE: STAINLESS STEEL.

REV	DATE	DESCRIPTION	ECN NO.	NAME
C	02.08.14	△ ADD P/N OPTION	I0208007	ERIC
D	03.06.12	△ ADD P/N OPTION	AK0306006	JOE
E	03.10.15	△ ADD OPTION	I0310004	Jack
F	04.01.14	△ MODIFY SPEC	CECR04000642	PETER
G	04.01.16	△ ADD OPTION	I0401003	Lung
H	04.03.15	△ DELETE OPTION	AK0403024	XZ
I	04.04.24	△ ADD P/N OPTION	AK0404016	LUBING
J	04.06.05	△ ADD GREEN OPTION	AK0406002	XZ
K	04.08.07	△ MODIFY OPTION	AK0408004	JOY
L	04.11.13	△ MODIFY	AK04011011	WSANMIN
M	05.01.05	△ MODIFY	AK0501003	RONG



RECOMMENDED P.C.B. LAYOUT
TOLERANCE(±0.05mm)

GENERAL TOLERANCE
±0.25mm
GENERAL ANGLE TOLERANCE
±3°



WIESON TECHNOLOGIES CO., LTD

PART NO.: △
*3515-1****

DRAWN BY

RONG(WSC)

DRAWING NO. 3515-002

CHECKED BY

JIMMY

DRAWING SIZE 8 : 1 A3

APPROVED BY

KEVIN

UNIT mm

SORTING NO.

WSC

PAGE 1 OF 3

ISSUED

[ARTICLE:044033 V3]

3515 SERIES USB MINI-B RECEPTACLE (SHORT TYPE)

REV	DATE	DESCRIPTION	ECN NO.	NAME
C	02.08.14	△ ADD P/N OPTION	I0208007	ERIC
D	03.06.12	△ ADD P/N OPTION	AK0306006	JOE
E	03.10.15	△ ADD OPTION	I0310004	Jack
F	04.01.14	△ MODIFY SPEC	CECR04000642	PETER
G	04.01.16	△ ADD OPTION	I0401003	Lung
H	04.03.15	△ DELETE OPTION	AK0403024	XZ
I	04.04.24	△ ADD P/N OPTION	AK0404016	LUBING
J	04.06.05	△ ADD GREEN OPTION	AK0406002	XZ
K	04.08.07	△ MODIFY OPTION	AK0408004	JOY
L	04.11.13	△ MODIFY	AK04011011	WSANMIN
M	05.01.05	△ MODIFY	AK0501003	RONG

ORDER INFORMATION

△ * 3515-1* ** **

(PEG/GROUING ARM/METAL COVER)

- 01:W/O PEG,W/O GROUNGING ARM,W/ METAL COVER
- △ 02:W/ PEG(D=1mm) ,W/O GROUNGING,W/ METAL COVER
- 03:W/O PEG ,W/ GROUNGING ARM,W/ METAL COVER
- △ 04:W/ PEG(D=1mm) ,W/ GROUNGING ARM,W/ METAL COVER
- 05:THROUGH HOLE TYPE
- △ 06:W/ PEG(D=0.7mm) ,W/O GROUNGING ARM, W/ METAL COVER
- △ 07:W/ PEG(D=0.7mm) ,W/ GROUNGING ARM, W/ METAL COVER
- 11:W/O PEG,W/O GROUNGING ARM,W/O METAL COVER
- △ 12:W/ PEG(D=1mm) ,W/O GROUNGING ARM, W/O METAL COVER
- △ 13:W/ PEG(D=0.7mm) ,W/O GROUNGING ARM, W/O METAL COVER
- △ 14:W/O PEG,W/O METAL COVER ,W/COVER TAPE
- △ 15:W/PEG(D=1.0mm),W/O METAL COVER,W/ COVER TAPE
- △ 16:W/PEG(D=0.7mm),W/O METAL COVER,W/ COVER TAPE

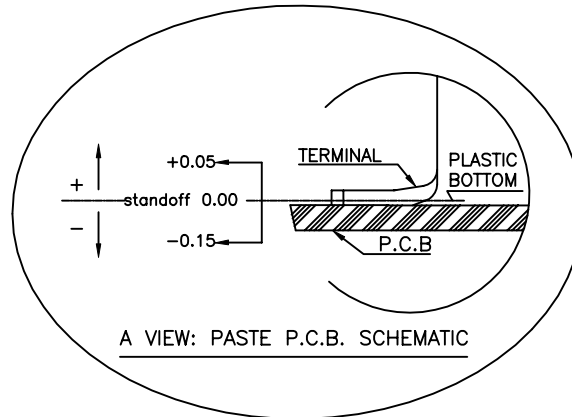
(PACKING/TERMINAL/SHELL PLATIED)

- △ 01:TRAY, TERMINAL: 1u" GOLD , SHELL: 100u" min Tin OVER 50u" min .Ni UNDERPLATED OVERALL
- △ 02:TRAY, TERMINAL: 30u" GOLD , SHELL: 100u" min Tin OVER 50u" min .Ni UNDERPLATED OVERALL
- △ 03:TRAY, TERMINAL: 15u" GOLD , SHELL: 100u" min Tin OVER 50u" min .Ni UNDERPLATED OVERALL
- △ 11:TAPE&REEL, TERMINAL: 1u" GOLD , SHELL: 100u" min Tin OVER 50u" min .Ni UNDERPLATED OVERALL
- △ 12:TAPE&REEL, TERMINAL: 30u" GOLD , SHELL: 100u" min Tin OVER 50u" min .Ni UNDERPLATED OVERALL
- △ 13:TAPE&REEL, TERMINAL: 15u" GOLD , SHELL: 100u" min Tin OVER 50u" min .Ni UNDERPLATED OVERALL
- △ 21:TRAY, TERMINAL: 1u" GOLD , SHELL: 50~100u" WELDABLE NI.
- △ 22:TRAY, TERMINAL: 30u" GOLD , SHELL: 50~100u" WELDABLE NI.
- △ 23:TRAY, TERMINAL: 15u" GOLD , SHELL: 50~100u" WELDABLE NI.
- △ 31:TAPE&REEL, TERMINAL: 1u" GOLD , SHELL: 50~100u" WELDABLE NI.
- △ 32:TAPE&REEL, TERMINAL: 30u" GOLD , SHELL: 50~100u" WELDABLE NI.
- △ 33:TAPE&REEL, TERMINAL: 15u" GOLD , SHELL: 50~100u" WELDABLE NI.

(WIESON LOGO/STANDARD&SHORT TYPE)

- 11: W/ WIESON MARK
- 12: W/O WIESON MARK

"": NORMAL PRODUCT
 "G": GREEN PRODUCT



NOTE: SMT COPLANARITY TOLERANCE: 0.13mm MAX.

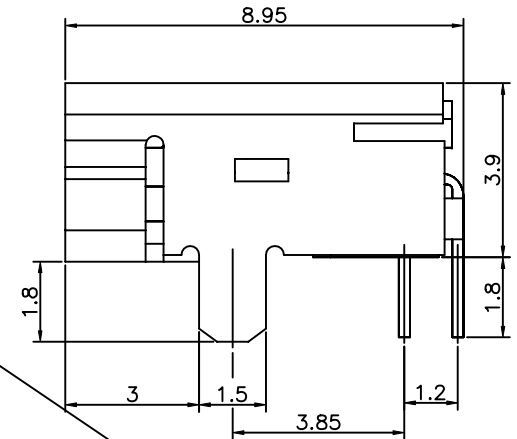
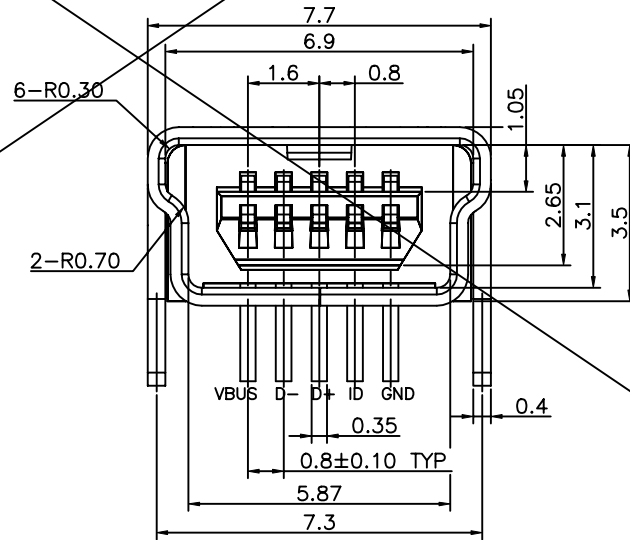
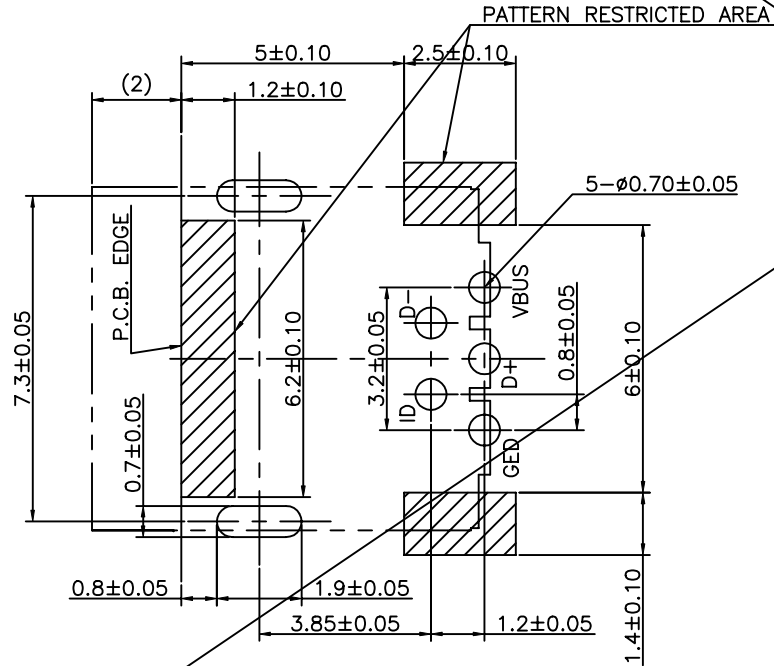
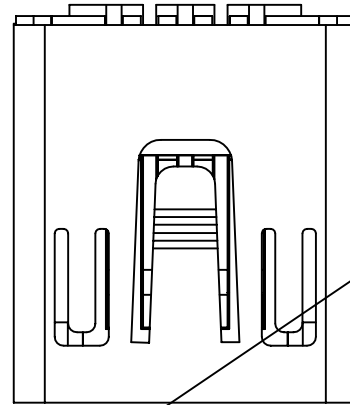
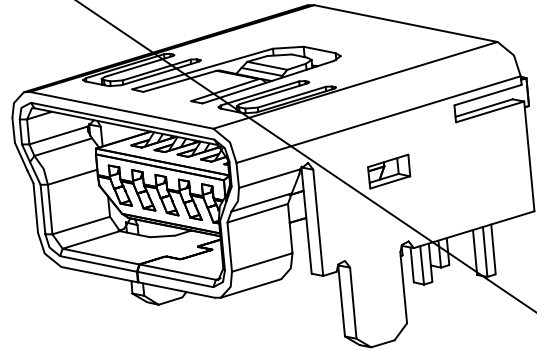
GENERAL TOLERANCE ±0.25mm GENERAL ANGLE TOLERANCE ±3'	WIESON TECHNOLOGIES CO., LTD		PART NO.: △ *3515-1****	
	DRAWN BY	RONG(WSC)	DRAWING NO.	3515-002
	CHECKED BY	JIMMY	DRAWING SIZE	8 : 1 A3
	APPROVED BY	KEVIN	UNIT	mm
⊕	SORTING NO.	WSC	PAGE	2 OF 3

ISSUED

[ARTICLE:044033 V3]

3515 SERIES USB MINI-B RECEPTACLE (SHORT TYPE)

REV	DATE	DESCRIPTION	ECN NO.	NAME
C	02.08.14	ADD P/N OPTION	I0208007	ERIC
D	03.06.12	ADD P/N OPTION	AK0306006	JOE
E	03.10.15	ADD OPTION	I0310004	Jack
F	04.01.14	MODIFY SPEC	CECR04000642	PETER
G	04.01.16	ADD OPTION	I0401003	Lung
H	04.03.15	DELETE OPTION	AK0403024	XZ
I	04.04.24	ADD P/N OPTION	AK0404016	LUBING
J	04.06.05	ADD GREEN OPTION	AK0406002	XZ
K	04.08.07	MODIFY OPTION	AK0408004	JOY
L	04.11.13	MODIFY	AK04011011	WSANMIN
M	05.01.05	MODIFY	AK0501003	RONG



RECOMMENDED P.C.B. LAYOUT
SEE FROM COMPONENT SIDE
(T=1.57mm)

GENERAL TOLERANCE ±0.25mm GENERAL ANGLE TOLERANCE ±3° 	WIESON TECHNOLOGIES CO., LTD 		PART NO.: *3515-1****	
	DRAWN BY	RONG(WSC)	DRAWING NO.	3515-002
	CHECKED BY	JIMMY	DRAWING SIZE	8:1 A3
	APPROVED BY	KEVIN	UNIT	mm
	SORTING NO.	WSC	PAGE	3 OF 3

ISSUED

[ARTICLE:044033 V3]